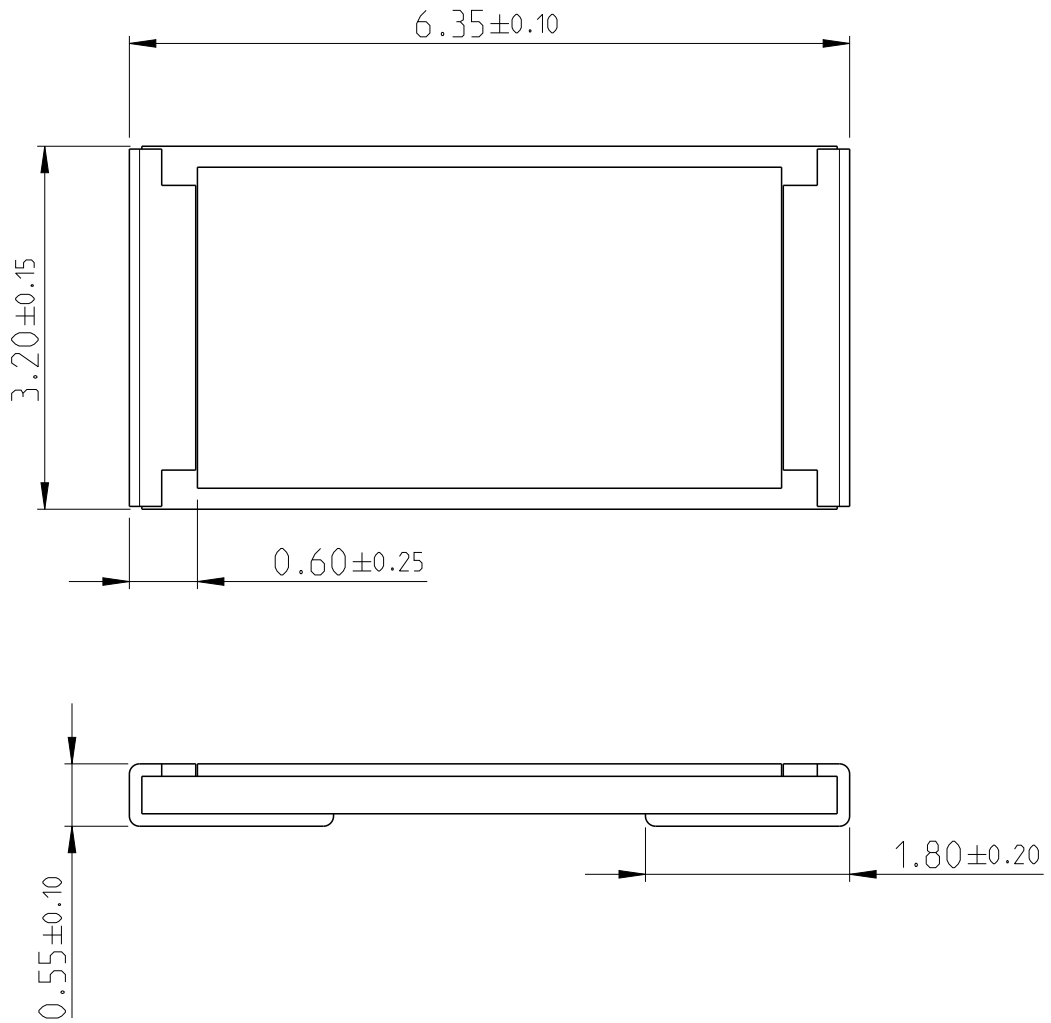


LOC	DIST	REVISIONS					
-	-	P	LTR	DESCRIPTION	DATE	DWN	APVD
		BB1	ECR-15-009468		23JUN2015	KR	TN

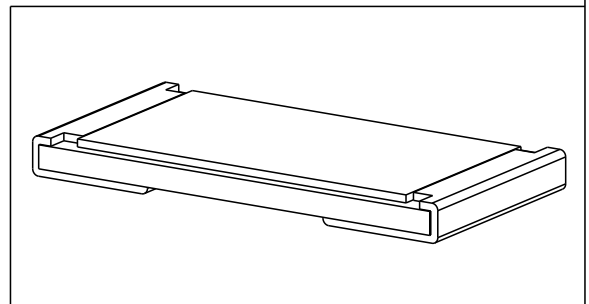


FOR FURTHER INFORMATION SEE DATA SHEET FOR 3521 SERIES

RoHS Compliant



PDB LAYOUT PLAN




RELEASED FOR PUBLICATION

THIS DRAWING IS UNPUBLISHED.

ALL RIGHTS RESERVED.

BY -

© COPYRIGHT 20

DIMENSIONS: mm	DWN DARSHAN MS	15MAR2012	MATERIAL	-	FINISH	-
	CHK ALLAN P	15MAR2012	 TE Connectivity			
TOLERANCES UNLESS OTHERWISE SPECIFIED:	APVD STEPHEN.P	15MAR2012				
	0 PLC ±	PRODUCT SPEC	SIZE	CAGE CODE	DRAWING NO	RESTRICTED TO
1 PLC ±0.5	-	-	A 4	00779	C-2176070	-
2 PLC ±0.13	APPLICATION SPEC	-	Customer Drawing			SCALE 40:1
3 PLC ±0.013	-	WEIGHT 0.03806 Gram				SHEET 1 OF 1
4 PLC ±0.0001	-	-				REV BB1
ANGLES ±	